



Creating a cleaner, safer world™

8200/8210

Sweeper/Scrubbers

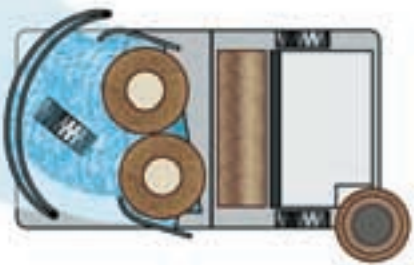


Big Performance Compact Size

Get the productivity of larger machines in a compact sweeper/scrubber that is sized to meet congested facility needs and restricted budgets. One of two compact machines will meet your exact needs.

The **Model 8200** offers incredible value in a high-performance cleaner.

Think of it as two machines in one. A **high-performance sweeper** that controls dust as it picks up everything from sand or broken glass to pallet chips and bulky litter. It is also an **aggressive scrubber** with unmatched cleaning and solution control. Productivity-enhancing features include one-button scrubbing and all levers forward sweeping.



The TrueTrack™ swing squeegee system contains solution, even on tight turns.

Combine these features in a machine that maneuvers down narrow aisles and in congested spaces, make the controls easy-to-use, simplify maintenance and make it affordable -- and you have a sweeper/scrubber that may well be the best value in the industry.

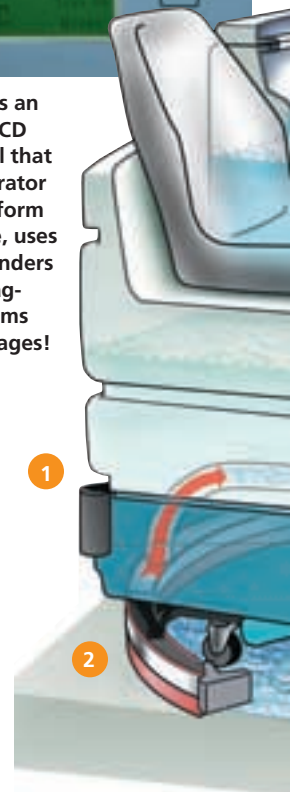
Add many features that make cleaning more efficient, plus simplify maintenance and operation, and you have the **automated Model 8210**. It makes operators even more productive. One-button sweeping reduces controls to a single button. Auto filter shaking helps ensure the best dust control. The positionable scrub head cleans tight against walls, pallets and machinery. SuperScrub™ increases scrubbing aggressiveness by 20%. Audible and visual service reminders, upgraded seat and tilt steering ease operation.



Speed debris handling with a power dump, non-corroding hopper. It dumps into containers up to 57 in. (1450 mm) high.



The 8210 has an intelligent, LCD control panel that tells the operator when to perform maintenance, uses audible reminders and even diagnoses problems - in 12 languages!



8200/



The 8210's scrub head extends to clean tight against edges, pallets and machinery. Optional on the 8200.

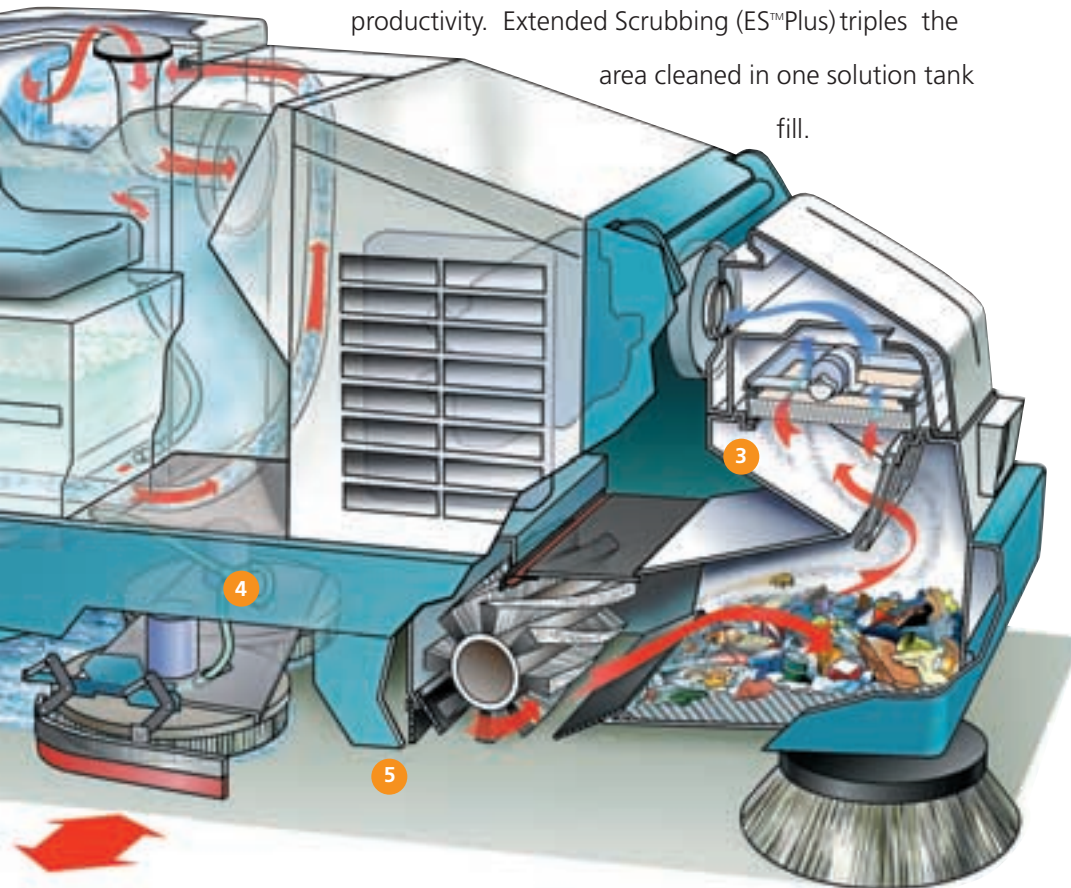


Add the ES™Plus system to extend scrubbing by 360% without stopping to empty and refill solution tanks.



The 8210 automates both sweeping and scrubbing to make operators more productive.

Options include a sturdy, UL-tested overhead guard to keep operators safe. A vacuum wand cleans hard-to-reach spaces. The MaxPro® 1200 scrub head gives you a wider path for added productivity. Extended Scrubbing (ES™Plus) triples the area cleaned in one solution tank fill.



Models 8200 & 8210

- 1 Heavy-duty, wrap-around bumper, corner rollers, corrosion-resistant hopper, shroud and tanks mean the unit is built to last.
- 2 No-tool squeegee, brush and filter change allow quick, easy maintenance.
- 3 InstantAccess™ no-tool, removable panel filter has fail-safe seal design for lasting performance. Automated, regular interval filter shaking ensures peak dust control. (8210 only)
- 4 Twin, overlapping, self-adjusting brushes provide aggressive cleaning. The scrub head extends to clean edges. (Standard on 8210, optional on 8200)
- 5 The main brush sweeps debris while the retractable side brush cleans edges. A high-volume vacuum fan pulls airborne dust through the patented Perma-Filter™.

8210 Sweeper/Scrubbers

Specifications for Models 8200 and 8210*

Sweeping System

Cleaning path	50 in	1270 mm
Main brush length	36 in	915 mm
Side brush diameter	23 in	585mm
Hopper volume	7.8 ft ³	220 L
Hopper weight capacity	350 lb	160 kg
Filter area	63 ft ²	5.9 m ²

Scrubbing System

Cleaning path: MaxPro® 1000	40 in	1020 mm
Cleaning path: MaxPro® 1200	48 in	1220 mm
Side shift: (option on 8200)	5 in	125 mm
Solution tank	52 gal	195 L
Recovery tank	52 gal	195 L

Power Plants

Liquid gasoline/LPG	53 hp	(39.5 kW)
Liquid cooled diesel	37.5 hp	(28 kW)

Propelling System

Speed forward	6 mph	(9.6 km/h)
Speed reverse	3 mph	(4.8 km/h)
Gradeability		
Full hopper	6.0 deg	(10.5%)
Empty hopper	8.0 deg	(14.0%)

Tennant Value-Added Equipment

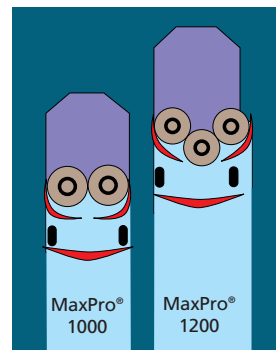
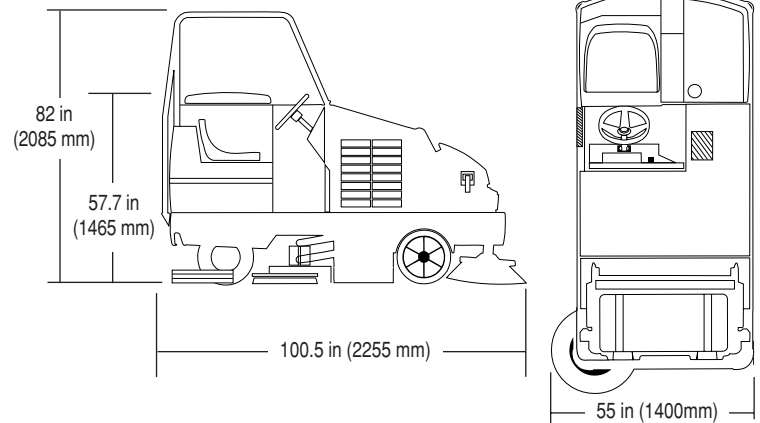
<u>Model 8200</u>	<u>Additional 8210 equipment</u>
Multi-level dump	LCD system display
Corrosion-resistant hopper, tanks	Service interval reminder
Perma-Filter™	One-button sweeping
InstantAccess™ filter change	Multi-lingual messaging
Wet sweep bypass	SuperScrub™ mode
No-tool brush & squeegee change	Automatic filter shaking
Power steering	Automatic startup diagnostics
TrueTrack™ squeegee	Edge scrubbing

Optional Equipment

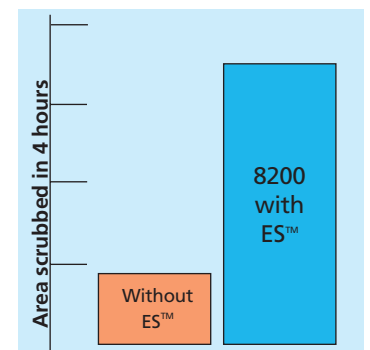
Audio visual backup alarm	Overhead guard
Light packages	Squeegee wand
ES™ Plus Solution recycling	Non-marking tires
MaxPro® 1200 scrub head	Suspension seat
Heavy duty bumper	Fire extinguisher
Sidebrush dust control	Positive drain control

* Subject to change without notice.

Dimensions



MaxPro® 1200 increases productivity with a wider, 48 in (1220 mm) cleaning path.



The optional ES™Plus system gives up to 3 1/2 hours of cleaning without the need to empty or refill solution tanks. A real time saver.

MaxPro is a registered US trademark of Tennant Company. InstantAccess, ES, Perma-Filter, SuperScrub, and TrueTrack are US trademarks of Tennant Company.

ISO 9001 Certified

Creating a cleaner, safer world™

Tennant Company offers the most complete line of floor and surface maintenance equipment, floor coatings, brushes, and cleaning detergents in the world. Our sales and service networks are able to provide you with integrated custom cleaning solutions to meet any floor care need.



Tennant Company

P.O. Box 1452
 Minneapolis, MN U.S.A. 55440
 Call toll-free: 1-800-553-8033
 In Quebec call: 514-335-6061
 Fax: 763-540-1437
 www.tennantco.com